



TM

# Uni-Tech Valves & Pneumatics

## ISO 9001 - 2008

### SWING CHECK VALVE

**MODEL NO : UTSCV**

### REFERENCE STANDARDS

Design	: ASME B16.34 / BS 1868
Pressure Temp.	: ANSI B16.34
Face to Face	: ANSI B16.10
End to End Conn.	: ANSI B16.10
Testing	: API 598 / EN 12266 Part 1 (BS6755 Part 1)

### DESIGN FEATURES

Pressure Class	: ASA 150#
End Connection	: Flanged End

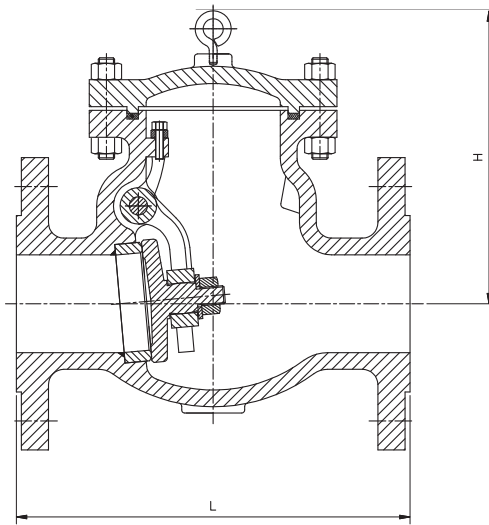
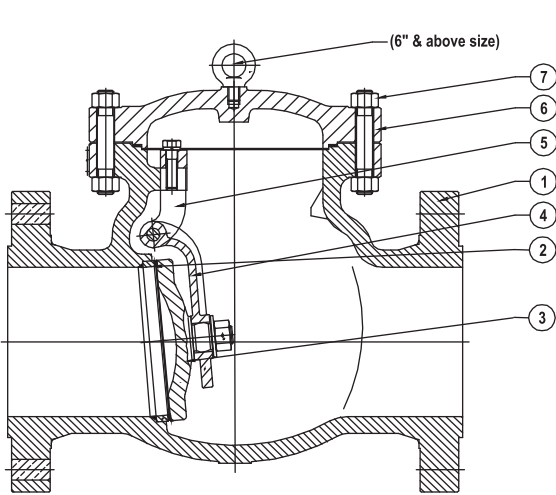
### TECHNICAL SPECIFICATION

Body	: A 216 Gr.WCB / A 351 Gr.CF8 / A 351 Gr.CF8M
Seat Ring	: SS 304 / SS 316 / 13% Cr. / Stellite Compassion
Disc	: A 216 Gr.WCB / A 351 Gr.CF8 / A 351 Gr.CF8M
Disc Sealing	: A 216 Gr.WCB / A 351 Gr.CF8 / A 351 Gr.CF8M
Disc Nut	: SS 304 / SS 316 / 13% Cr.
Hinge	: A 216 Gr.WCB / A 351 Gr.CF8 / A 351 Gr.CF8M
Hinge Pin	: Stainless Steel
Cover	: A 216 Gr.WCB / A 351 Gr.CF8 / A 351 Gr.CF8M
Bonnet Gasket	: Soft Iron / SSPW

### APPLICATIONS

Oil, Gas & Water  
Steam  
Petrochemicals  
Upto 400°C





Sr. No.	Part Name
1	Body
2	Seat
3	Disc
4	Hinge
5	Bracket
6	Cover
7	Hardware

DIMENSIONS (MM) #150					
NPS	DN	L	H	PCD	NO OF HOLES
2"	50	203	203	121	4
2-1/2"	65	216	216	140	4
3"	80	241	241	153	4
4"	100	292	292	191	8
6"	150	356	356	242	8
8"	200	495	495	299	8
10"	250	622	622	362	12
12"	300	698	699	342	12
14"	350	787	787	476	12
16"	400	864	864	540	16
18"	450	978	978	578	16

DIMENSIONS (MM) #300					
NPS	DN	L	H	PCD	NO OF HOLES
2"	50	267	267	127	8
2-1/2"	65	292	292	150	8
3"	80	318	318	169	8
4"	100	356	356	200	8
6"	150	444	444	270	12
8"	200	559	533	331	12
10"	250	622	622	388	16
12"	300	711	711	451	16
14"	350	838	838	515	20
16"	400	864	864	572	20
18"	450	978	978	629	24

## SAILENT FEATURES

- The product designs are in accordance to ASME B16.34 / BS 1868 / reliable sealing & sturdy construction to ensure excellent performance.
- Suitable for the horizontal & vertical pipe runs "NON-SLAM" arrangement i.e. Dash Pot arrangement can be provided on request.
- All trim material available as per API 600.
- Pressure sealed bonnet for ASME #900 and above to provide excellent sealing against increased line pressure. Full range of Body / Cover / Bonnet & Trim material available

## Uni-Tech Valves & Pneumatics

Plot No - 6235, Road No : 62, GIDC Sachin Surat. 394230, Contact : +91- 261-2398605/2398602, Mob : 9904000336

Email : utvalves@yahoo.com

unitechvalves@yahoo.com

www.unitechvalves.com