



TM

Uni-Tech Valves & Pneumatics

ISO 9001 - 2008

GLOBE VALVE | **MODEL NO : UTGLV**

REFERENCE STANDARDS

Design	: BS 1873/ASME B16.34 / API 600
Face to Face	: ASME B16.10
Flange	: B16.5/ BS4504/ ANSI B16.1
Testing	: API 598/ BS 6755 Part-1

DESIGN FEATURES

Pressure Class	: ASA 150#/300#
End Connection	: Flanged End/ Screwed/ Socket Weld

TECHNICAL SPECIFICATION

Body	: ASTM A 216 Gr. WCB/ A351 Gr. CF8 / CF8M
Seat Ring	: AISI SS304 / SS316 / 13%CR. / Stellite Deposition
Plug	: ASTM A216 Gr. WCB / A351 Gr. CF8 / CF8M
Spindle/Stem	: AISI SS304 / SS316 / SS410
Gasket	: SSPW / CAF
Bonnet	: ASTM A216 Gr. WCB / A351 Gr. CF8 / CF8M
Bonnet Stud & Nut	: ASTM A193 Gr. B7 / A194 Gr. 2H / B8.8
Bonnet Bush	: AISI SS304 / SS316 / SS410
Gland Packing	: Asbestos / Non Asbestos / PTFE / Graphoil
Gland Flange	: ASTM A 216 Gr. WCB/ A351 Gr. CF8/CF8M
Hand Wheel	: Cast Iron / Malleable Iron / Stainless Steel
Hand Wheel Nut	: Carbon Steel / Stainless Steel

APPLICATIONS

Oil, Gas & Water
Steam
Petrochemicals
Upto 400°C



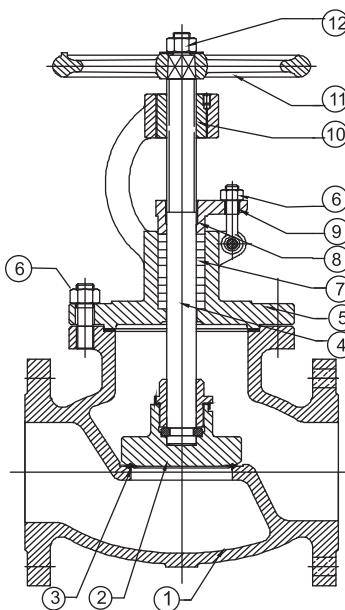
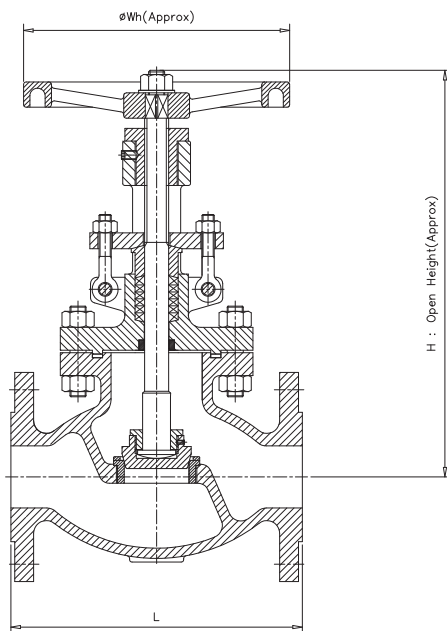
MANUAL



PNEUMATIC



MOTORIZED



Sr. No.	Part Name
1	Body
2	Disc
3	Seat
4	Stem
5	Bonnet
6	Hardwares
7	Packing
8	Gland
9	Gland Flange
10	Yoke Sleeve
11	Handwheel
12	Handwheel Nut

DIMENSIONS (MM) #150

NPS	DN	L	H	W	PCD	NO OF HOLES
2"	50	203	290	200	121	4
2-1/2"	65	216	320	220	140	4
3"	80	241	343	220	153	4
4"	100	292	410	300	191	8
6"	150	406	480	350	242	8
8"	200	495	582	460	299	8
10"	250	622	700	520	362	12
12"	300	698	825	600	342	12
14"	350	787	950	600	476	12
16"	400	914	996	600	540	16
18"	450	978	-	-	578	16

DIMENSIONS (MM) #300

NPS	DN	L	H	W	PCD	NO OF HOLES
2"	50	267	305	220	127	8
2-1/2"	65	292	340	250	150	8
3"	80	318	367	250	169	8
4"	100	356	435	300	200	8
6"	150	444	505	480	270	12
8"	200	559	611	480	331	12
10"	250	622	733	600	388	16
12"	300	711	865	810	451	16
14"	350	-	-	-	-	-
16"	400	-	-	-	-	-
18"	450	-	-	-	-	-

SAILABLE FEATURES

- Outside screw rising stem rising hand wheel construction threads are away from fluids and easy to lubricate.
- Body and bonnet made from high quality casting with liberal section
- Seat ring screwed into the body are replaceable
- Back seat ring features facilitate repacking of the stuffing box on line with valve in fully open position.
- Swinging eye bolts facilitate easy access to the stuffing box.
- Plug type disc design to give leak tight seat ring over a long period of in built wear life.
- Stellite seat ring and disc can also be offered on special request
- The valve are higher pressure and bigger sizes are provided with thrust bearing and also with sear drive arrangement and flange also can be offered for different standards.

Uni-Tech Valves & Pneumatics

Plot No - 6235, Road No : 62, GIDC Sachin Surat. 394230, Contact : +91- 261-2398605/2398602, Mob : 9904000336

Email : utvalves@yahoo.com

unitechvalves@yahoo.com

www.unitechvalves.com