



TM

Uni-Tech Valves & Pneumatics

ISO 9001 - 2008

FORGED VALVE (GATE - GLOBE - CHECK VALVE)



GATE VALVE



GLOBE VALVE



CHECK VALVE

REFERENCE STANDARDS

Design : API 602/ BS 5352

Face to Face : B16.10

DESIGN FEATURES

Size Range : 15 NB to 50 NB

Pressure Rating : Class 800

Seat Leakage : Class IV

Operation : Manual/Self Acting

End Conn. : Screwed/ Socket Weld

TECHNICAL SPECIFICATION

Body : A 105

Wedge : A 217 CA 15

Disc : A 276 Gr 410 + 13% Cr.

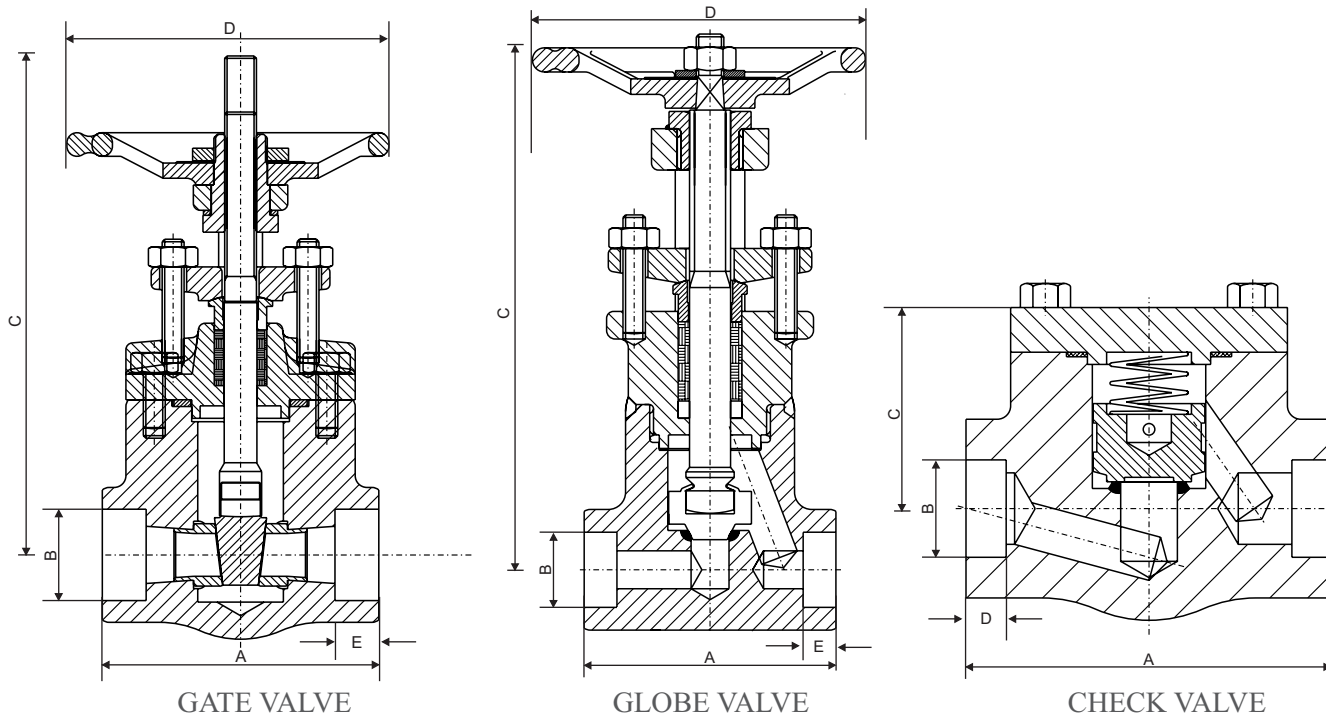
Stem : A 479 Gr 410

Bonnet : A 105

Seat Ring : A 276 Gr 410 + 13% Cr. + Stellite Composition

Cover : A 105

Gasket : SSPW + Graphite



DIMENSIONS (MM) 800#

SIZE		GATE VALVE					GLOBE VALVE					CHECK VALVE			
INCH	MM	A	B	C	D	E	A	B	C	D	E	A	B	C	E
1/2	15	73	21.8	115	64	9.5	73	21.8	120	64	9.5	73	21.8	48	9.5
3/4	20	82	27.1	130	90	13	82	27.1	127	64	13	82	27.1	57	13
1	25	90	33.8	140	90	13	90	33.8	151	102	13	90	33.8	64	13
1 1/2	40	127	48.7	195	125	13	127	48.7	180	152	13	127	48.7	87	13
2	50	148	61.1	240	162	16	148	61.1	236	152	16	148	61.1	126	16

SAILENT FEATURES

- Body and bonnet made from high quality casting with liberal section.
- Seat ring screwed into the body are replaceable.
- Back seat ring features facilitate repacking of the stuffing box on line with valve in fully open position.
- Swinging eye bolts facilitate easy access to the stuffing box.
- Plug type disc design to give leak tight seat ring over a long period of in built wear life.
- Stellite seat ring and disc can also be offered on special request.

APPLICATIONS

Oil, Gas & Water
 Steam , Petrochemicals
 Upto 400° C

Uni-Tech Valves & Pneumatics

Plot No - 6235, Road No : 62, GIDC Sachin Surat. 394230, Contact : +91- 261-2398605/2398602, Mob : 9904000336
 Email : utvalves@yahoo.com
 unitechvalves@yahoo.com