



TM

Uni-Tech Valves & Pneumatics

ISO 9001 - 2008

3 WAY BALL VALVE | **MODEL NO : UT3BLV**

REFERENCE STANDARDS

Design	: API 6D
Dimension	: ANSI B 16.10/B 16.5
Testing	: BS 6755, Part-1

DESIGN FEATURES

Valve	: 3-Way Ball Valve, 2 Seat/ 3 Seat
Body Type	: 3 PC
Seat Type	: Soft
End Connection	: Flanged / Screwed
Size Range	: 15 NB to 150 NB for reduced Port/ Full Port
Pressure Rating	: Class 150, & 300
Seat Leakage	: Class VI - Soft Seat
Operation	: Hand Lever/ Gear/ Actuator (Electrical / Pneumatic)
Port Type	: L-Port / T-Port



TECHNICAL SPECIFICATION

Body	: A216 GR .WCB/ A351 GR. CF8/CF8M
Ball	: A351 GR. CF8/CF8M
Seat	: PTFE
Stem	: SS 410/ SS 304/ SS 316
Body Stud Nut	: B7/2H, B8/B8M
Gland Packing	: PTFE/ Grey Foil
Body Seal	: PTFE/ Grey Foil



MANUAL



PNEUMATIC

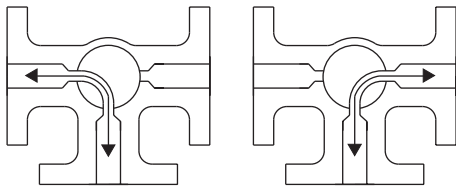


MOTORIZED

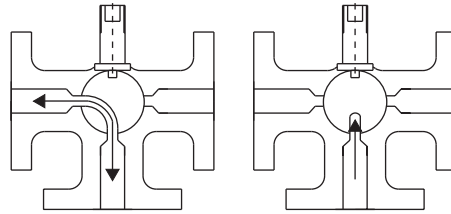


GEAR OPERATED

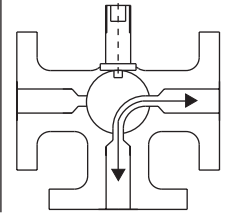
Two seats, Side 'L' Port Style : L



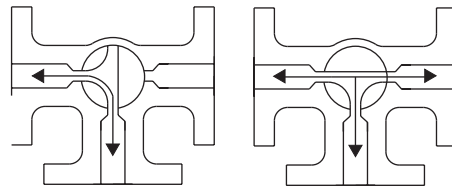
Two seats, Bottom 'L' Port



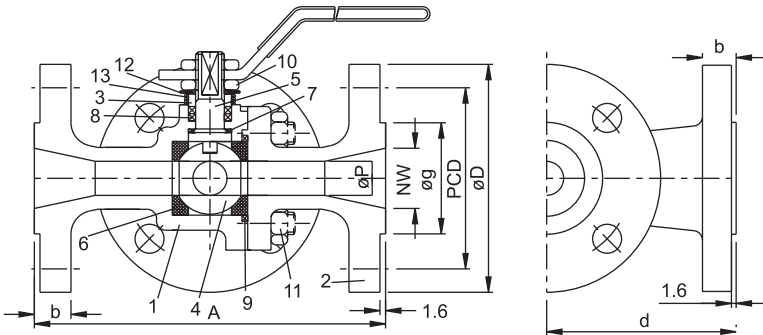
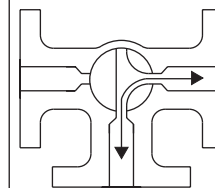
Style : C



Two seats, Side 'T' Port

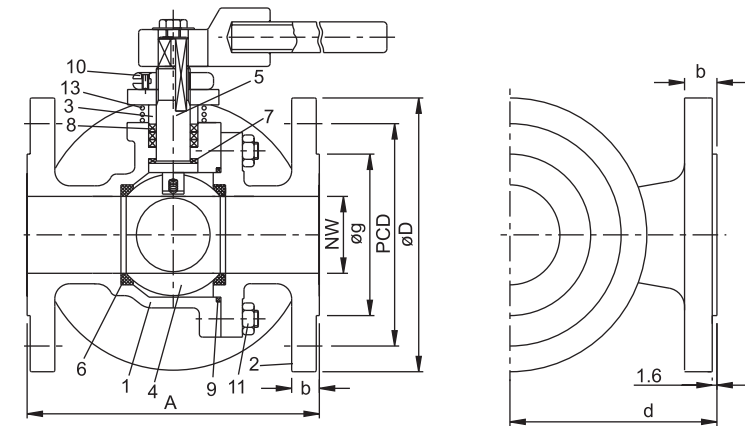


Style : T



DIMENSIONS (MM) CLASS 150

Size	A	øP	NW	øD	d	b	øg	PCD	Holeø	Holes
15	108	9.5	13	89	70	11.5	35	60.5	16	4
20	117	13	19	98	76	13	43	70	16	4
25	127	19	25	108	80	11.5	51	79.5	16	4
32	140	25	32	117	86	13	64	89	16	4
40	165	32	38	127	98	14.5	73	98.5	16	4
50	178	38	50	152	107	16	92	120.6	20	4
65	190	50	65	178	125	17.5	105	139.7	20	4
80	203	58	76	191	133	19.5	127	152.4	20	4
100	229	76	98	229	157	24	157	190.5	20	8
150	267	98	148	279	216	25.5	216	241.3	23	8



DIMENSIONS (MM) CLASS 300

Size	A	øP	NW	øD	d	b	øg	PCD	Holeø	Holes
15	140	9.5	13	95	76	14.5	35	66.7	16	4
20	152	13	19	117	96	16	43	82.5	20	4
25	165	19	25	124	100	17.5	51	89	20	4
32	178	25	32	133	106	19.5	64	98.4	20	4
40	190	32	38	156	120	22	73	114.3	23	4
50	216	38	50	165	125	22.5	92	127	20	8
65	241	50	65	191	140	25.5	105	149.2	23	8
80	283	58	76	210	152	29	127	168.3	23	8
100	305	76	98	254	178	32	157	200	23	8
150	403	98	148	318	215	37	216	269.9	23	12

Uni-Tech Valves & Pneumatics

Plot No - 6235, Road No : 62, GIDC Sachin Surat. 394230, Contact : +91- 261-2398605/2398602, Mob : 9904000336

Email : utvalves@yahoo.com

unitechvalves@yahoo.com

www.unitechvalves.com